



17198E00

- > Controlled electrostatic grounding of road tankers and rail cars during loading
- > Continuous monitoring of correct grounding
- > The object recognition prevents potential operator errors (with road tankers)
- > Water jet protected aluminium enclosure IP65
- > Two potential-free change-over contacts per channel for signalling
- > Insulated point of suspension for clamps
- > Ambient temperature -55 ... +60 °C



E4



**WebCode 8485A**

Zone	ATEX / IECEx					
	0	1	2	20	21	22
Ex i interface		x	x		x	x
For use in		x	x		x	x

### Technical Data

Explosion protection	
Global (IECEx)	
Gas and dust	IECEx FTZU 15.0031X Ex d ib [ib] IIB T4 Gb Ex ib [ib] tb IIIC T130°C Db
Europe (ATEX)	
Gas and dust	FTZÚ 09 ATEX 0059X ⊕ II 2 G Ex d [ib] IIB T4 Gb ⊕ II 2 D Ex tb IIIC T130°C Db
Certifications and certificates	
Certificates	IECEx, ATEX, Kazakhstan (TR), Russia (TR), Belarus (TR)
Further parameters	
Installation	in Zones 1, 2, 21, 22
Safety data	
For signalling contact	
Max. connectable voltage $U_i$	50 V DC
Max. permissible current $I_i$	200 mA
Power supply	
Rated voltage	20 V DC ... 230 V AC, 50 Hz
Nominal current	50 mA
Power consumption	10 VA
Output	
Signalling contact	Ex i or Ex e - two potential-free change-over contacts per channel
Minimum load	10 V DC / 100 mA
Maximum load DC	230 V DC / 0.25 A 40 V DC / 3 A
Maximum load AC	230 V AC / 3 A
Operating mode selection per channel	Road tanker and rail car recognition by means of DIP switch Selection via DIP switch

**Selection Table**

Version	Description	Order number	Art. no.	PS	Weight kg
 <p>12635E00</p> <p>Single-channel grounding system</p>	<p>Monitored electrostatic grounding of tank containers and rail cars during loading</p> <p>Ambient temperature: - 55 ... + 60 °C</p>	<b>8485 / 111 - 42</b>	<b>238967</b> ◀	54	12.100
 <p>12633E00</p> <p>Dual-channel grounding system</p>	<p>Monitored electrostatic grounding of tank containers and rail cars during loading</p> <p>Ambient temperature: - 55 ... + 60 °C</p>	<b>8485 / 112 - 42</b>	<b>238968</b>	54	13.100
 <p>17200E00</p> <p>Clamp with cable</p>	<p>10 m ÖLFLEX with cable gland *)</p> <p>Clamp is made of stainless steel</p> <p>Ambient temperature: -50 ... +60 °C</p>		<b>240197</b>	54	2.900
 <p>17130E00</p> <p>Clamp with cable</p>	<p>10 m SIHF-J with cable gland *);</p> <p>Clamp is made of stainless steel;</p> <p>Ambient temperature: - 55 ... + 60 °C</p>		<b>238969</b>	54	2.900
 <p>17199E00</p> <p>Clamp with spiral cable</p>	<p>10 m ÖLFLEX with cable gland *);</p> <p>Clamp is made of stainless steel;</p> <p>Ambient temperature : - 30 ... + 60 °C</p>		<b>238970</b>	54	4.000
 <p>12643E00</p> <p>Configuration set</p>	<p>Configuration set consisting of infrared adapter with USB port and CD-ROM with configuration software</p>		<b>202511</b> ◀	54	0.500
 <p>12715E00</p> <p>Grounding clamp with automatic cable winder</p>	<p>Automatic retractor with 15 m of insulated cable, 3 m connection cable, robust ergonomic grounding clamp made of stainless steel, and fast-action plug</p>		<b>105544</b>	54	16.000
 <p>17132E00</p> <p>Grounding clamp</p>	<p>Robust ergonomic grounding clamp, stainless steel, and fast-action plug.</p> <p>Ambient temperature : - 40 ... + 60 °C</p>		<b>238971</b>	54	2.000

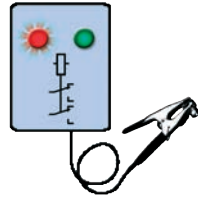
\*) Special cable length possible on request (max. 20 m). Price and date of delivery differ from the standard.

### Technical Data

LED indication road tankers

### Operating principle:

#### LED indication



10736E00

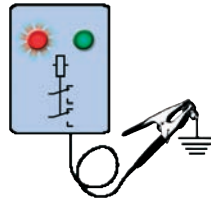
#### Grounding condition with road tanker

Clamp is not connected, grounding equipment not in use

#### Reaction of the grounding monitoring device

Grounding incorrect

- Red indicating lamp ON
- Green indicating lamp OFF
- Contacts OPEN

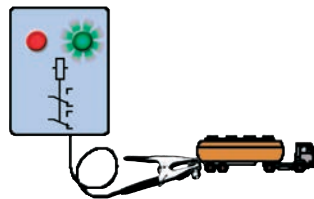


10737E00

Clamp is directly grounded, e.g. via the loading platform

Grounding incorrect

- Red indicating lamp ON
- Green indicating lamp OFF
- Contacts OPEN

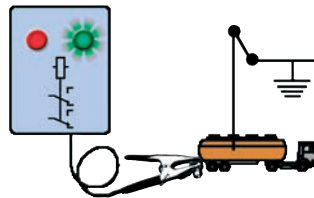


10738E00

Clamps connected to tank vehicle.

Grounding ok

- Red indicating lamp OFF
- Green indicating lamp ON
- Contacts CLOSED



10739E00

Clamps connected to tank vehicle. Tank vehicle is grounded subsequently (e.g. via the loading arm).

Grounding ok

- Red indicating lamp OFF
- Green indicating lamp ON
- Contacts CLOSED

Enclosure version  
Degree of protection  
Material

Flameproof enclosure (Ex d)  
IP65

Enclosure  
Grounding clamp  
Ambient conditions  
Ambient temperature  
Storage temperature

Aluminium  
Stainless steel  
-55 ... +60 °C  
-55 ... +60 °C

Mounting / Installation

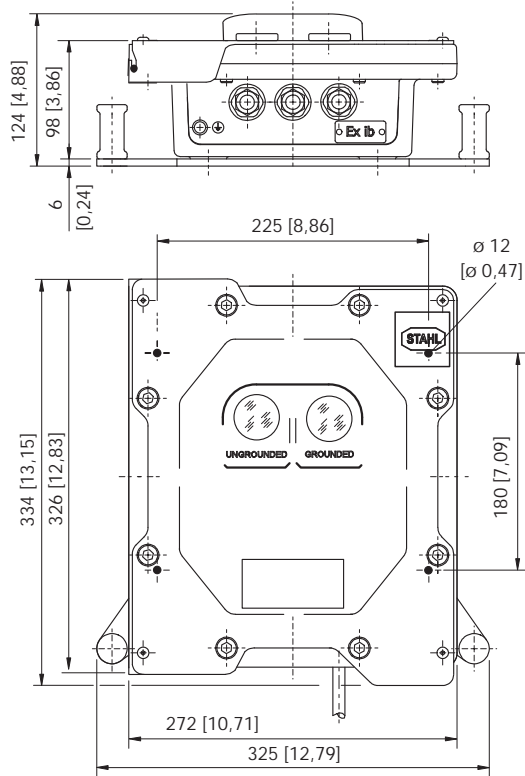
Cable glands  
Connection

Cable diameter range 6 ... 12 mm  
Maximum diameter, single-wire

- rigid 2.5 mm<sup>2</sup>
- flexible 2.5 mm<sup>2</sup>
- flexible, cable end sleeves with plastic cover 1.5 mm<sup>2</sup>
- flexible, cable end sleeves without plastic cover 2.5 mm<sup>2</sup>

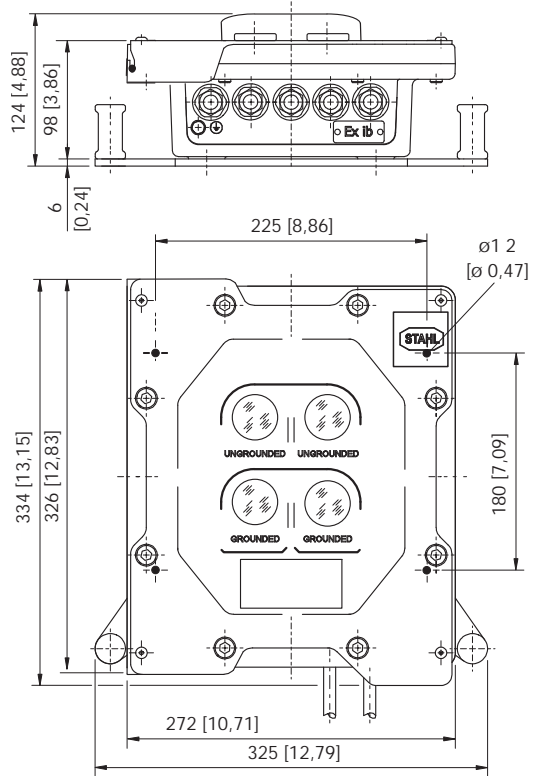
**Dimensional Drawings** (All Dimensions in mm [inches]) - Subject to Alterations

**E4**



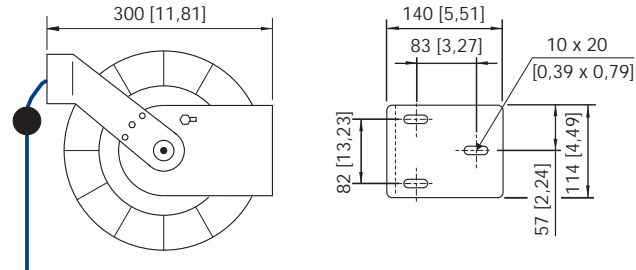
**Single-channel grounding monitoring device 8485/111**

12758E00



**Dual-channel grounding monitoring device 8485/112**

12759E00



**Cable drum with automatic cable winder**

04878E00